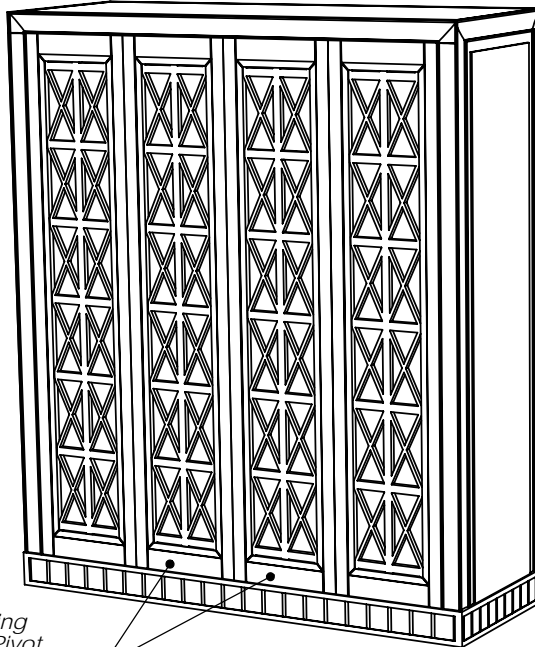
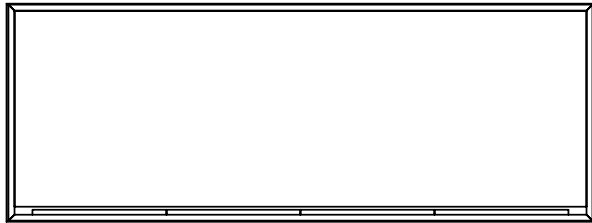
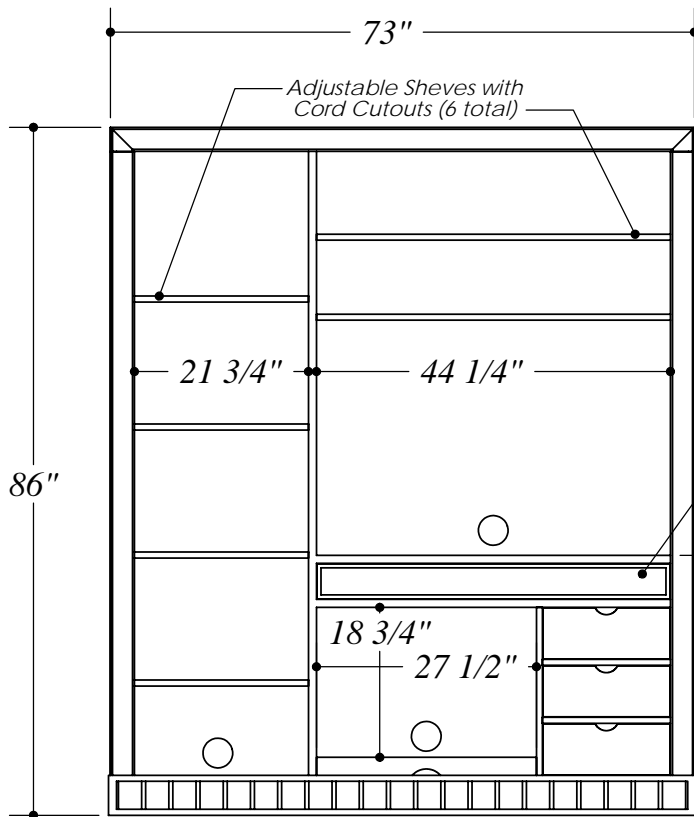


THE INFORMATION CONTAINED IN THIS DRAWING IS THE SOLE PROPERTY OF BAUSMAN & COMPANY, INC. ANY REPRODUCTION IN PART OR WHOLE WITHOUT THE WRITTEN PERMISSION OF BAUSMAN & COMPANY, INC. IS PROHIBITED. DO NOT SCALE DRAWING. UNLESS OTHERWISE SPECIFIED, TOLERANCE IS $\pm 1/16"$.



Bifolding Piano/Pivot Hinged Doors



Adjustable Shelves with Cord Cutouts (6 total)

21 3/4"

44 1/4"

86"

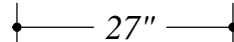
Keyboard Dropdown Pullout

18 3/4"

27 1/2"

32 1/2" (approx.)

5"



27"

24 1/2" Interior Depth

Levelers on recessed legs

BAUSMAN & COMPANY, INC.

FINE BENCH MADE FURNITURE

TITLE

Armoire with Computer Interior

ITEM NUMBER 3716a1

SKU NUMBER

APPROVED BY

DATE